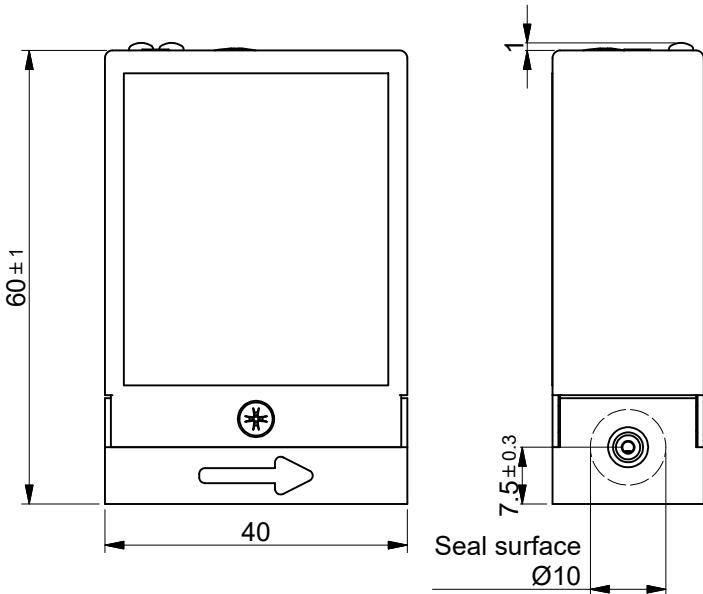
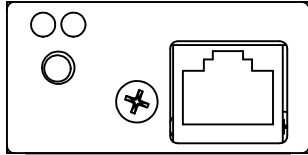
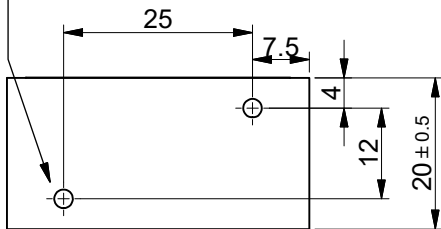


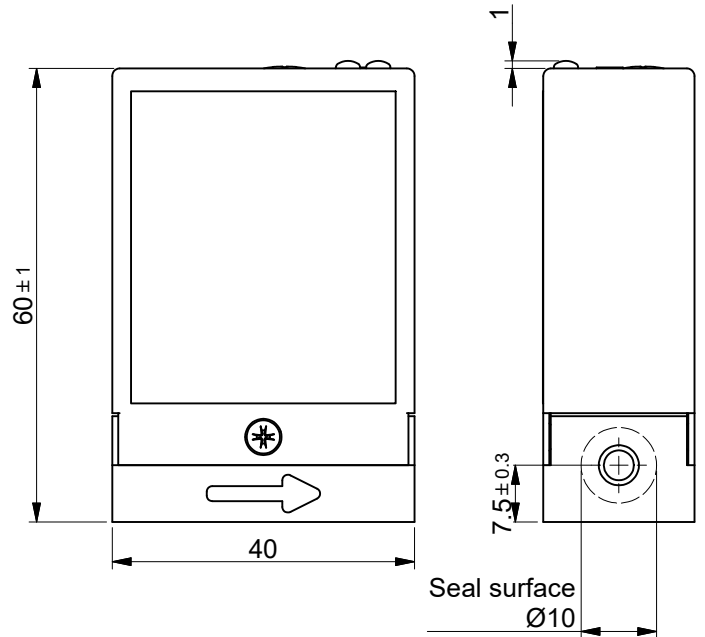
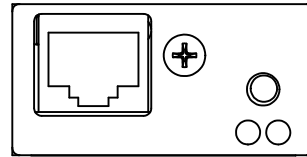
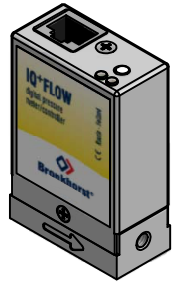
IQF 100 / 200 serie
IQP 500 / 700 serie



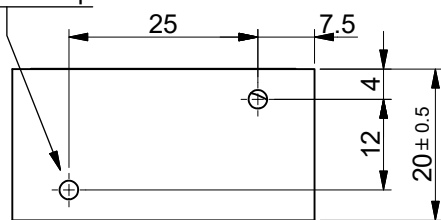
M3 (2x)
 Thread 5 deep



IQP 600 serie



M3 (2x)
 Thread 5 deep



For all series:

When using adapters
total length = 40 + (2 x A)

*) Dimension A is typical
 finger-tight.

Adapter 1/16"	Adapter 1/16"	Adapter 1/8"
A* = 8	A* = 16.5	A* = 21

Dimensions subject to
 change without notice.

Title: Dimensional drawing IQ+ Flow	Projection: Third Angle Dimensions: Metric (mm)	Drawer : E.M. Date: 06-07-2007	Revision Description: Rebranding Bronkhorst.		
		Checked : J.E. Date: 22-11-2016	Rev. by: R.Ge.	Scale: 1:1	A4
Drawing no.: 7.05.545		Rev.: H	Page: 1-1		