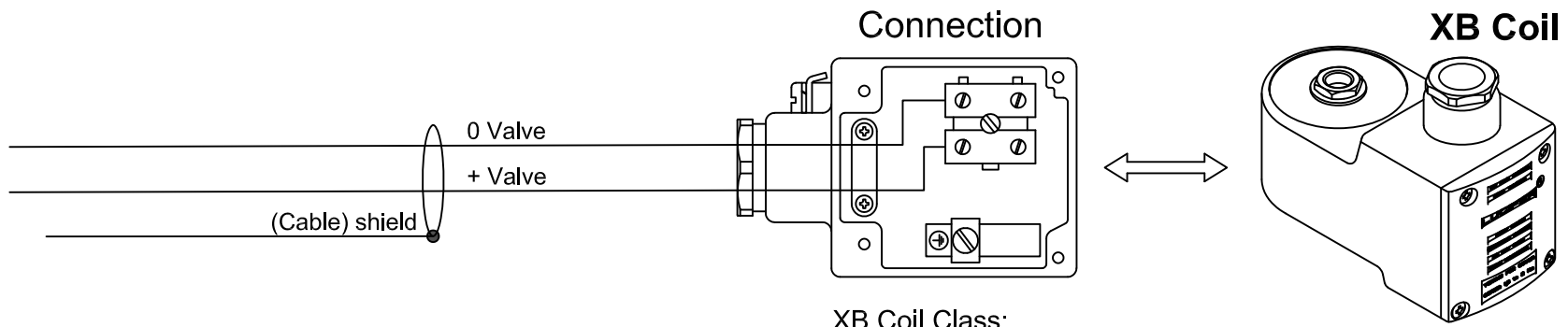


# XB Coil



XB Coil Class:  
II 1 G Ex ia IIC T6  
II 1 D Ex ta IIIC T80°C

**(Cable) shield must not be  
connected to the coil(housing)**