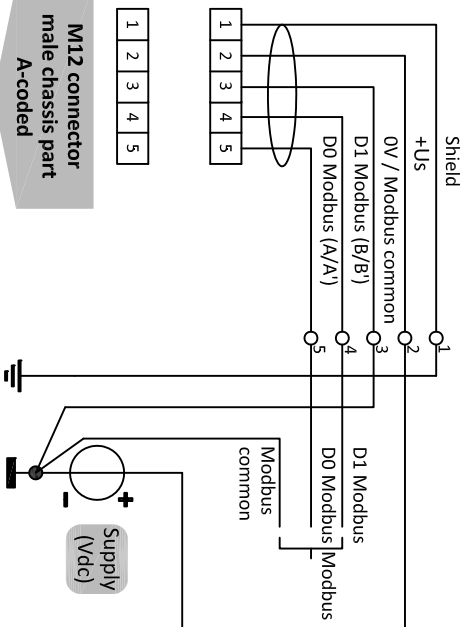




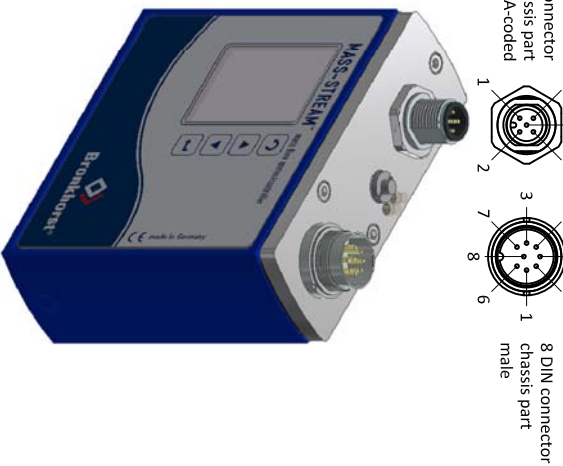
# Modbus

## Hook-up diagram

### Modbus connection



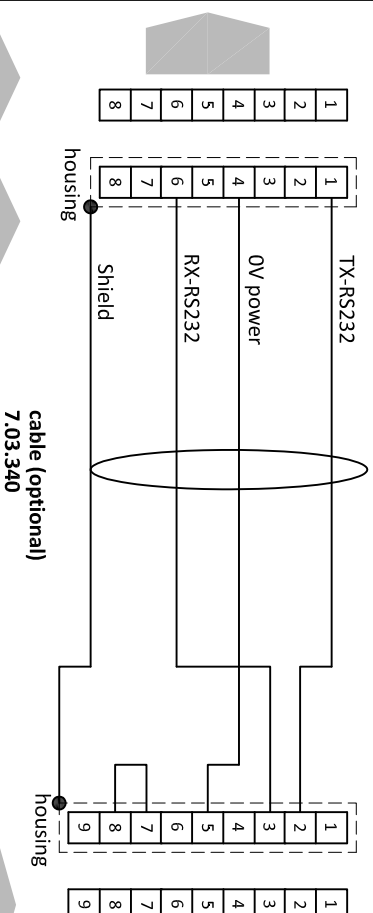
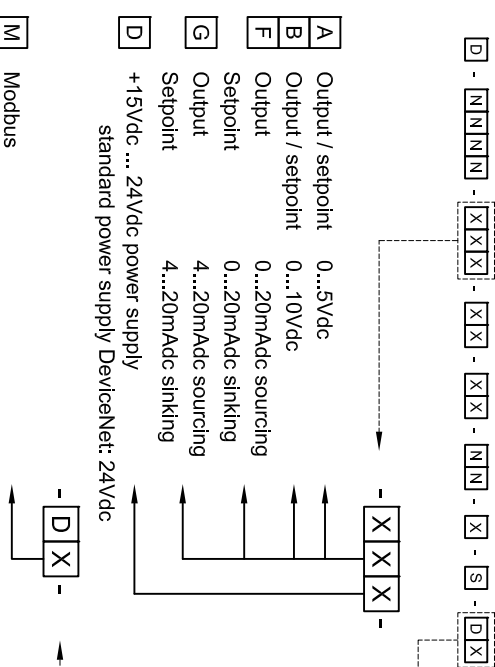
M12 connector  
male chassis part  
A-coded



### Types

D-6300 Series

### Model key explanation



cable (optional)  
7.03.340

Note:  
When using a field bus or RS232, it is not possible to operate the instrument by using the setpoint signal of the analog 8 DIN connector without changing the value of parameter "control mode".  
See doc.no. 9.17.023 for more details

Note:  
Do not connect an external valve to instruments, set as MFM.

Note:  
Powering a single instrument is possible by the 8 DIN connector.  
See doc. no. 9.16.092 for the hook-up diagram.

8 DIN  
connector  
chassis part  
male

8 DIN  
connector  
cable part  
female

RS232 COM - port  
9 pin D-Sub  
connector chassis  
part male