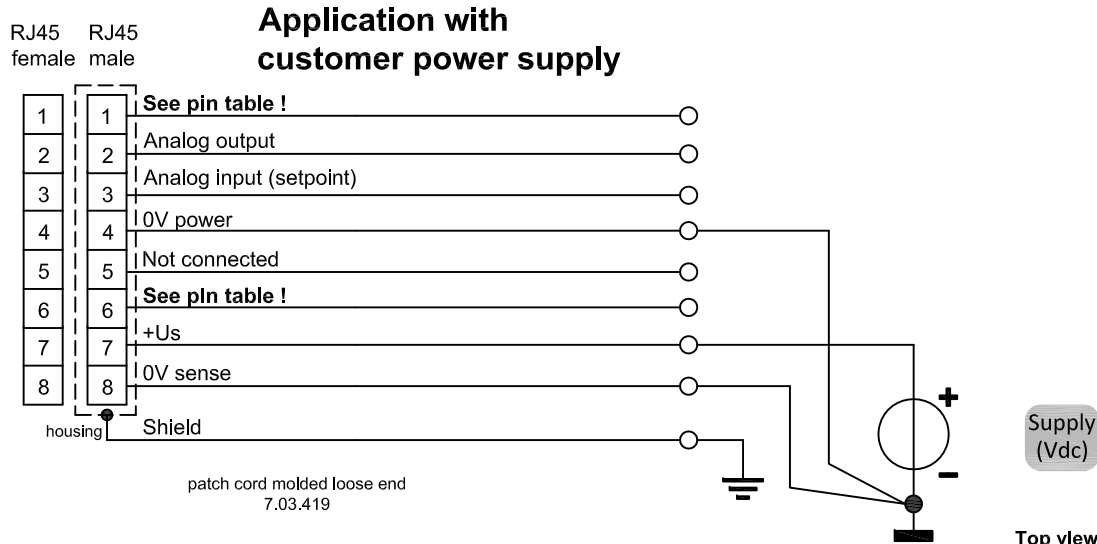
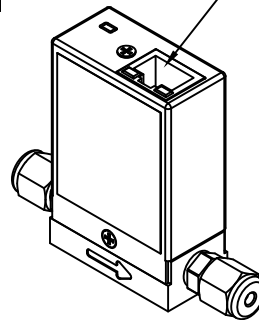
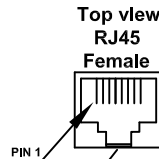


IQ+FLOW RS-232/RS-485 + Ana. I/O

IQ+FLOW
Hook-up diagram

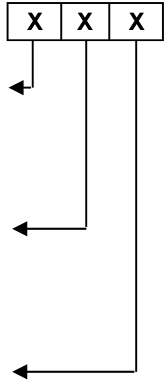


Pin table	Pin 1	Pin 6
RS-232	TX-RS-232	RX-RS-232
FLOW-BUS	RS-485 (+) FLOW-BUS B	RS-485 (+) FLOW-BUS A
Modbus	RS-485 (+) D0 Modbus (A/A')	RS-485 (+) D1 Modbus (B/B')



Explanation code P.C. board

- A** Analog I/O or RS-232 / RS-485 Normally Closed (NC)
- A** Output / setpoint 0 - 5Vdc
- B** Output / setpoint 0 - 10Vdc
- F** Output 0 - 20mAdc sourcing
- Setpoint 0 - 20mAdc sinking
- G** Output 4 - 20mAdc sourcing
- Setpoint 4 - 20mAdc sinking
- D** +15Vdc...+24Vdc power supply



For available bus protocols over RS-485 see instruction manual IQ+ FLOW (9.17.045)

Application stand alone

It is also possible to connect the IQ+FLOW with a Bronkhorst plug-in power supply (7.03.424)
 For information and specifications of this power supply visit the Bronkhorst website.