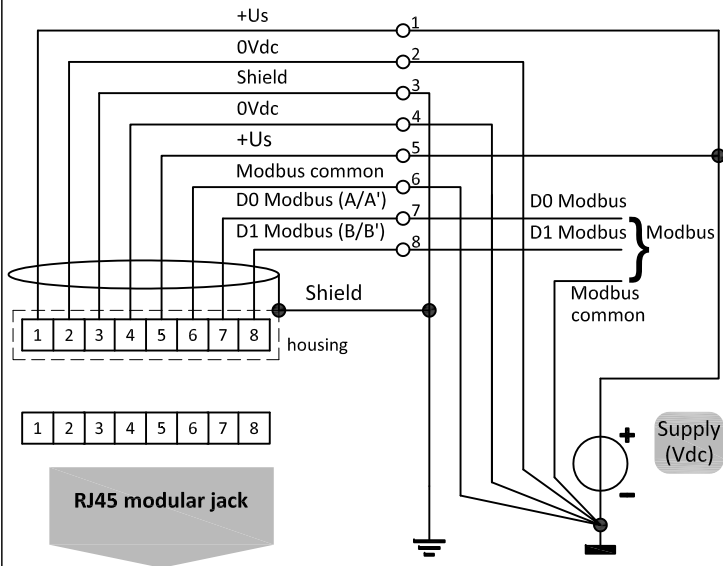
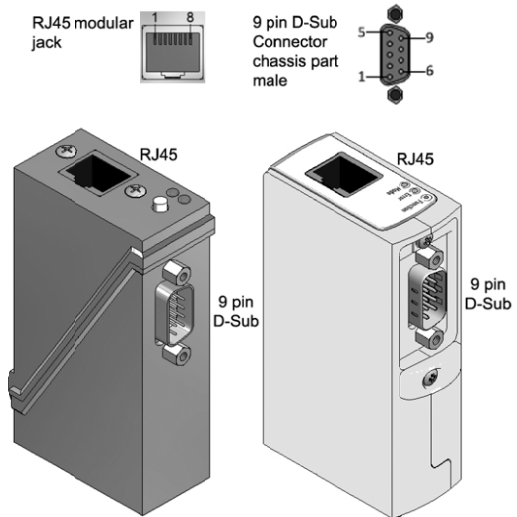
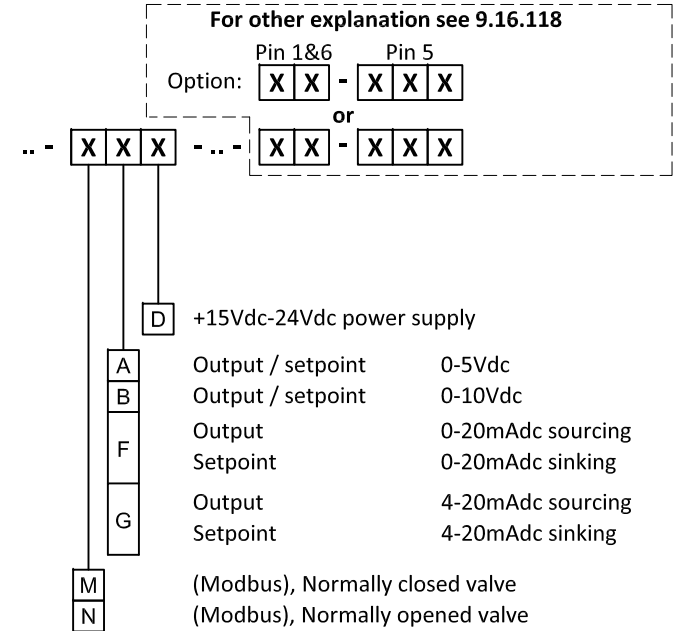


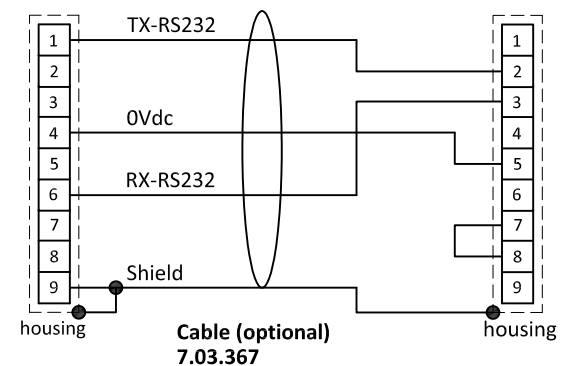
Modbus connection



Model key explanation



- | | |
|---|---------------------|
| 1 | TX-RS232/BUS |
| 2 | Analog output |
| 3 | Analog input |
| 4 | 0V power |
| 5 | Custom ¹ |
| 6 | RX-RS232/BUS |
| 7 | +Us |
| 8 | 0V sense |
| 9 | Shield |
- Instrument signals**



Note:
 When using a field bus or RS232, it is not possible to operate the instrument by using the setpoint signal of the analog D-sub connector without changing the value of parameter "control mode".
 See doc.nr. 9.17.023 for more details

Note:
 Do not connect an external valve to instruments, set as MFM or EPM

Note:
 Powering a single instrument is possible by the D-sub connector.
 Please consult 9.16.119 for a connection diagram.

9 pin D-Sub connector chassis part male

9 pin D-Sub connector cable part female

RS232 COM -port 9 pin D-Sub connector chassis part male

Note:
 1) Default disabled, 0Vdc.