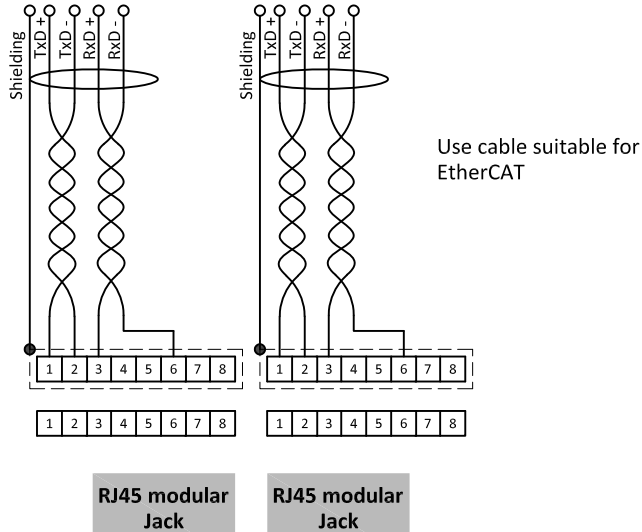
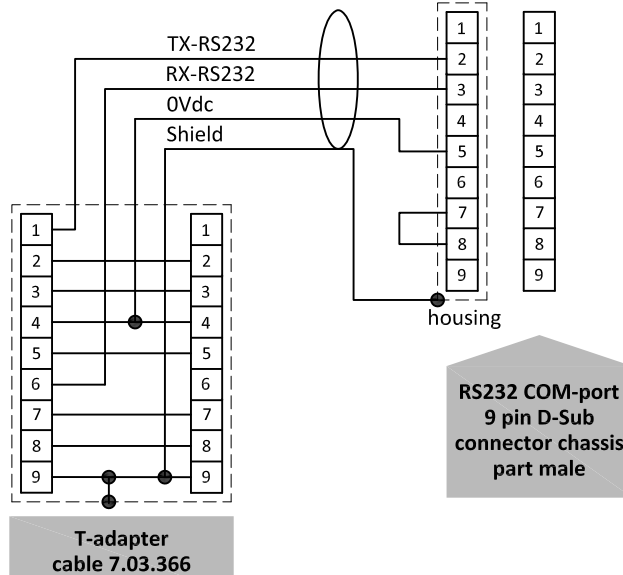


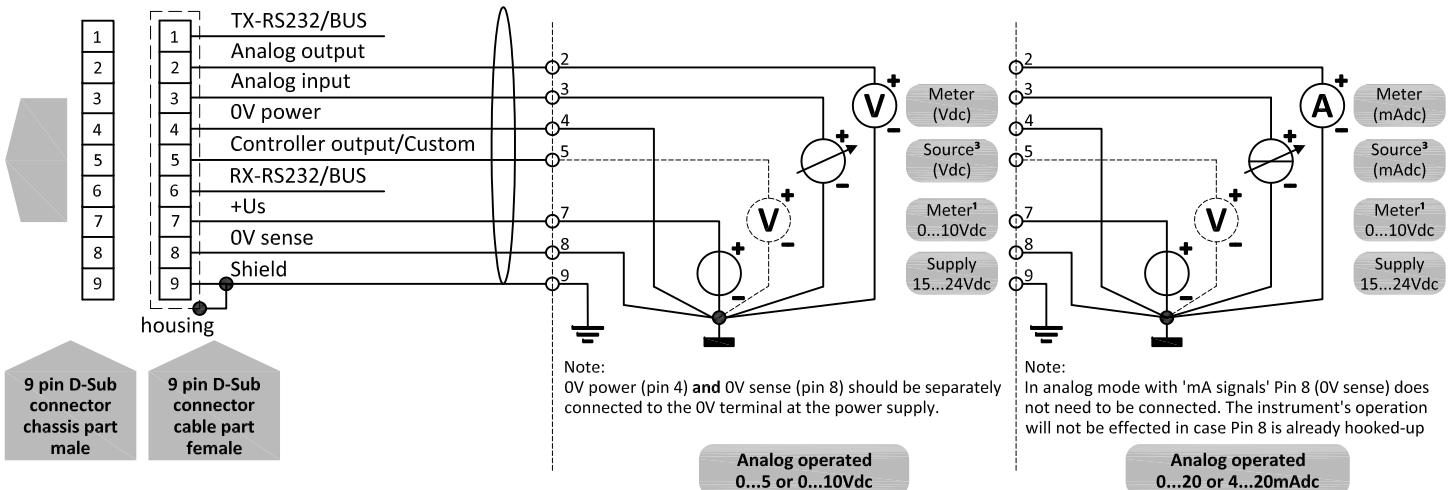
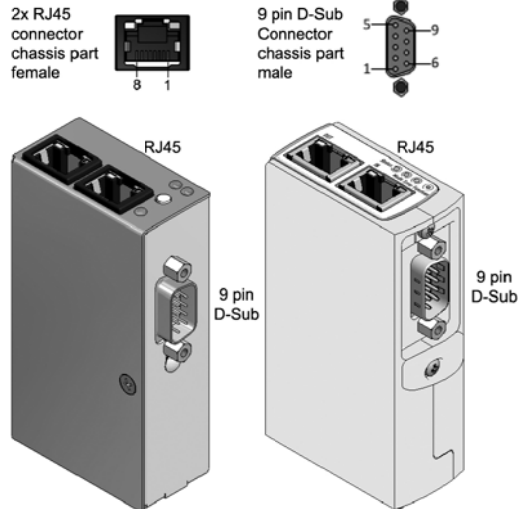
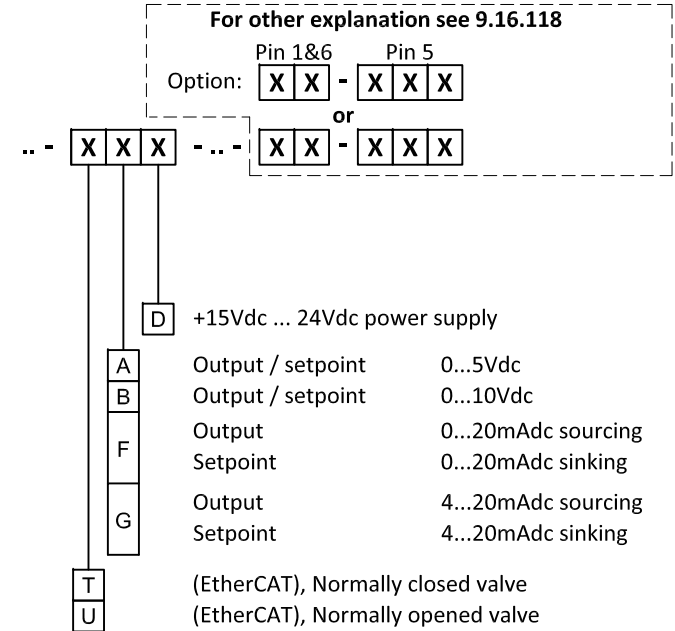
### EtherCAT connection



### RS232 connection



### Model key explanation



Note:  
 When using a field bus or RS232, it is not possible to operate the instrument by using the setpoint signal of the analog D-sub connector without changing the value of parameter "control mode". See doc.nr. 9.17.023 for more details.  
 Do not connect an external valve to instruments, set as MFM or EPM.