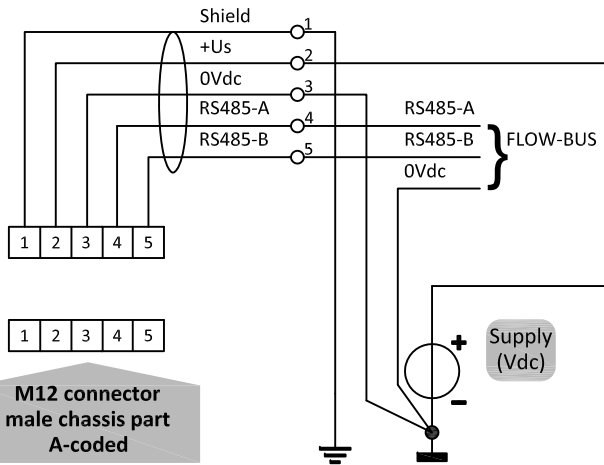
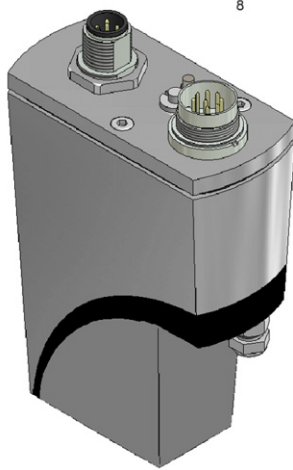
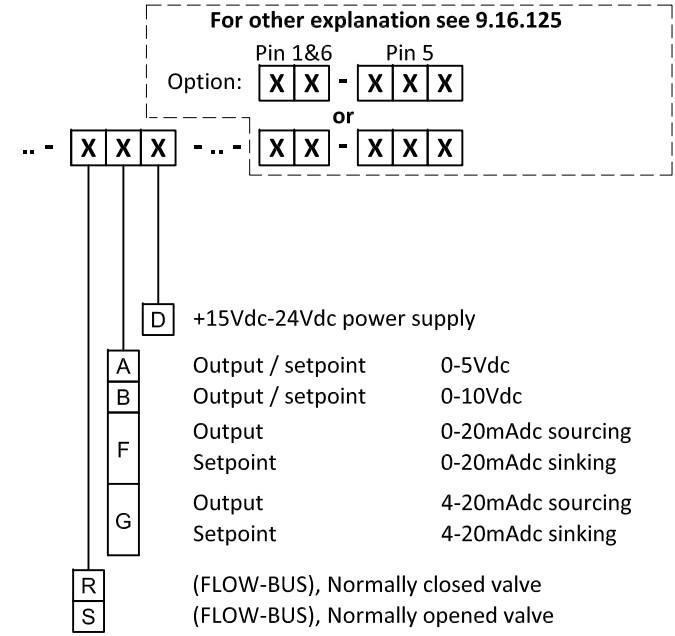


### FLOW-BUS connection



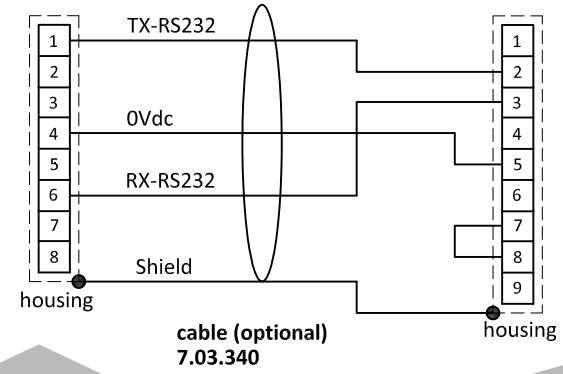
### Model key explanation



**A** Instrument I/O

1	TX-RS232/BUS
2	Analog output
3	Analog input
4	0V power
5	Custom 1
6	RX-RS232/BUS
7	+Us
8	0V sense

**Instrument signals**



Note:  
When using a unit configured for a fieldbus or RS232 I/O, it is not possible to operate the instrument using the analog Input without changing the "control mode" parameter (see instruction manual).  
See doc.nr. 9.17.023 for more details.

Note:  
Do not connect an external valve to instruments, set as MFM or EPM.

Note:  
Powering a single instrument is possible by the D-sub connector.  
Please consult 9.16.126 for a connection diagram.

Note:  
1) Default disabled, 0Vdc.