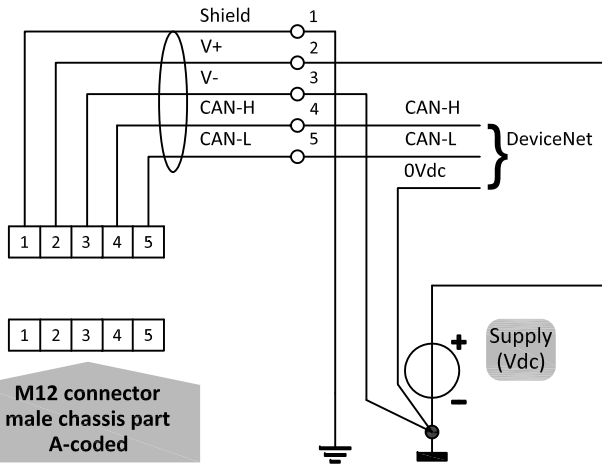
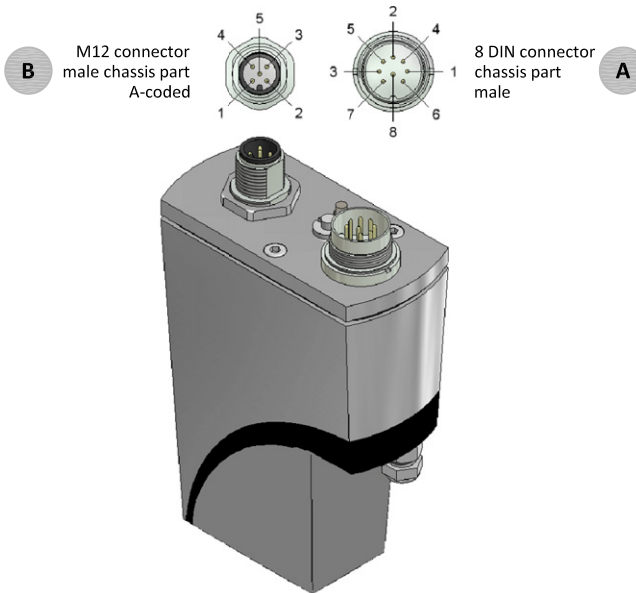
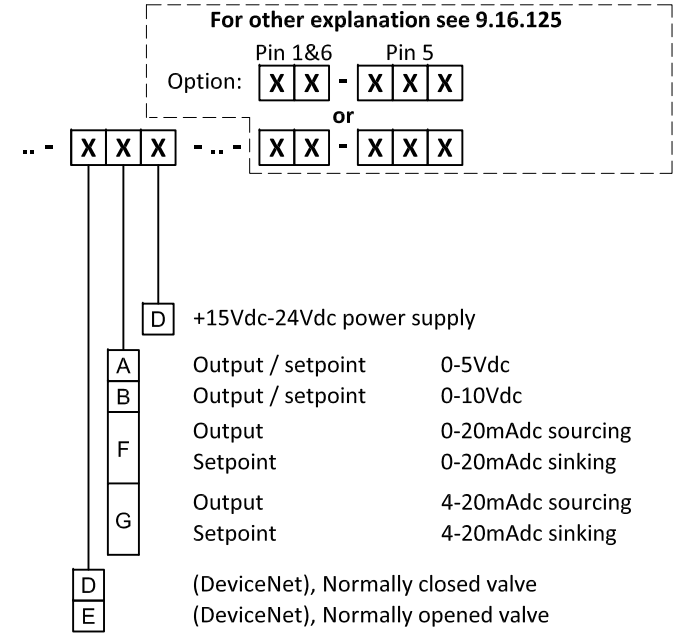


DeviceNet connection



Model key explanation



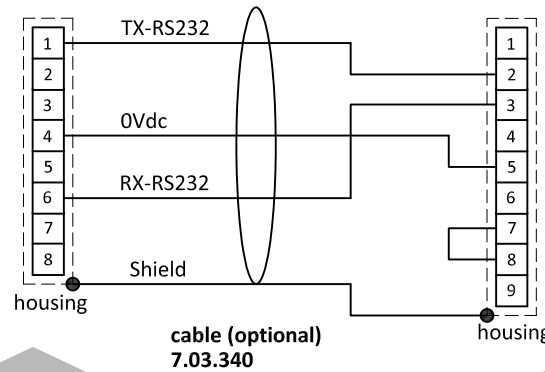
1	TX-RS232/BUS
2	Analog output
3	Analog input
4	0V power
5	Custom ¹
6	RX-RS232/BUS
7	+Us
8	0V sense

A Instrument I/O

Instrument signals

8 DIN connector chassis part male

8 DIN connector cable part female



RS232 COM -port 9 pin D-Sub connector chassis part male

Note:
 When using a unit configured for a fieldbus or RS232 I/O, it is not possible to operate the instrument using the analog Input without changing the "control mode" parameter (see instruction manual).
 See doc.nr. 9.17.023 for more details.

Note:
 Do not connect an external valve to instruments, set as MFM or EPM.

Note:
 Powering a single instrument is possible by the D-sub connector.
 Please consult 9.16.126 for a connection diagram.

Note:
 1) Default disabled, 0Vdc.