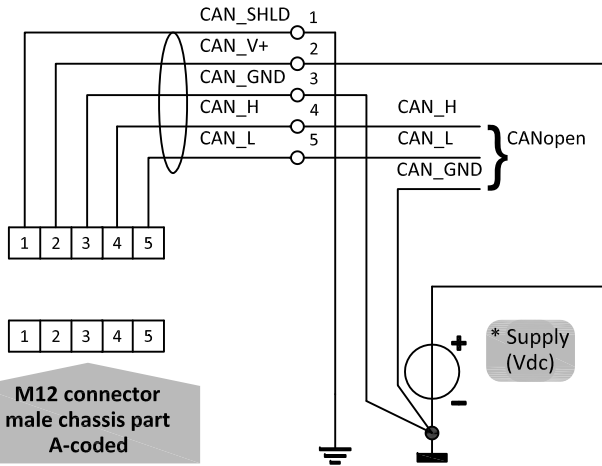


CANopen connection



Model key explanation

For other explanation see 9.16.125

Option: Pin 1&6

X	X
---	---

 - Pin 5

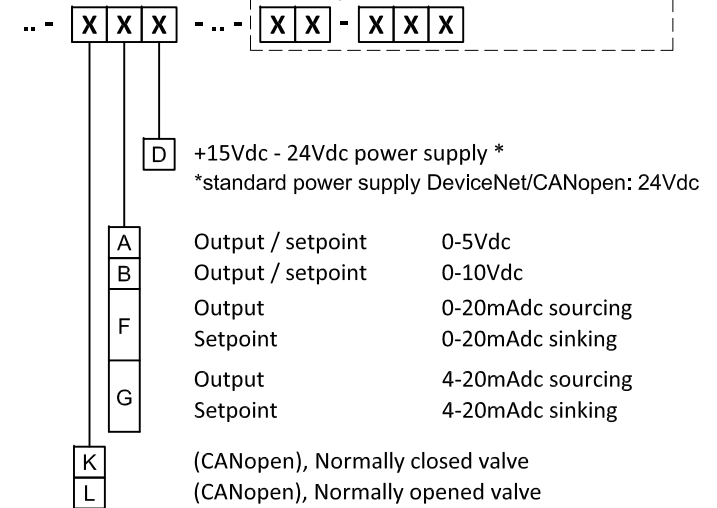
X	X	X
---	---	---

or

X	X
---	---

 -

X	X	X
---	---	---

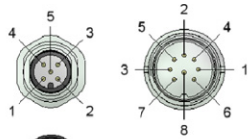


POWER SUPPLY WARNING

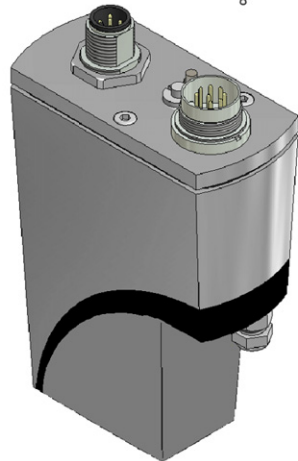


Do not power the instrument simultaneously from two different power sources (e.g. bus connection and Plug-in Power Supply). Doing so will damage the printed circuit board irreparably.

M12 connector male chassis part A-coded

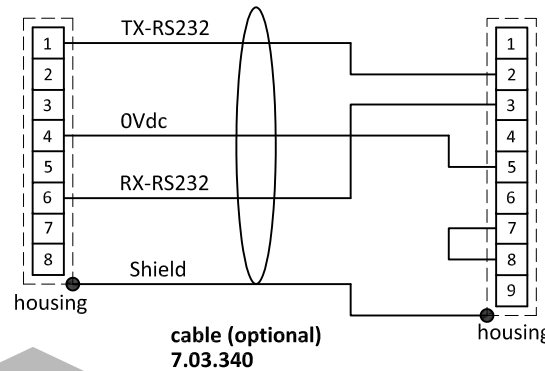


8 DIN connector chassis part male



1	TX-RS232/BUS
2	Analog output
3	Analog input
4	0V power
5	Custom 1
6	RX-RS232/BUS
7	+Us
8	0V sense

Instrument signals



Note:
When using a unit configured for a fieldbus or RS232 I/O, it is not possible to operate the instrument using the analog Input without changing the "control mode" parameter (see instruction manual).
See doc.nr. 9.17.023 for more details.

Note:
Do not connect an external valve to instruments which is set as meter.

Note:
Powering a single instrument is possible by the 8 DIN connector.
Please consult 9.16.126 for a connection diagram.

8 DIN connector chassis part male

8 DIN connector cable part female

RS232 COM -port 9 pin D-Sub connector chassis part male

Note:
1) Default disabled, 0Vdc.