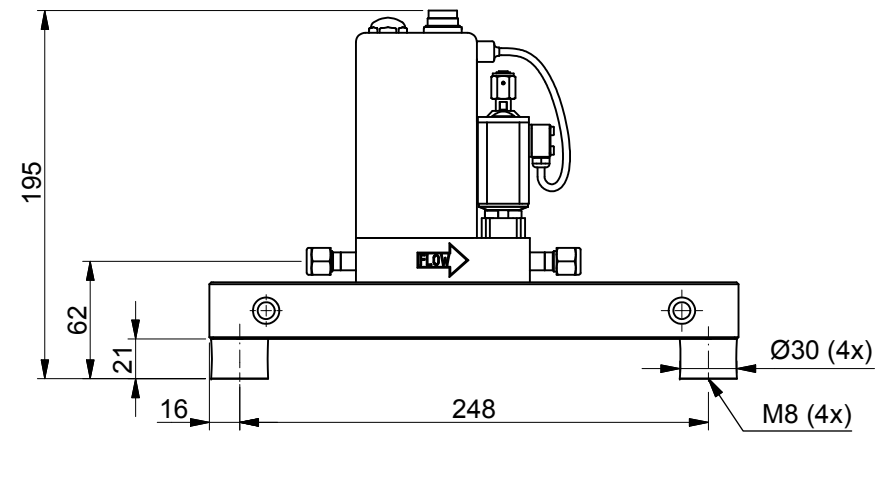


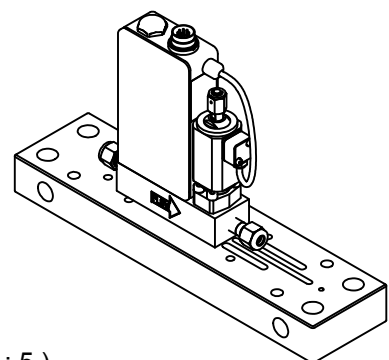
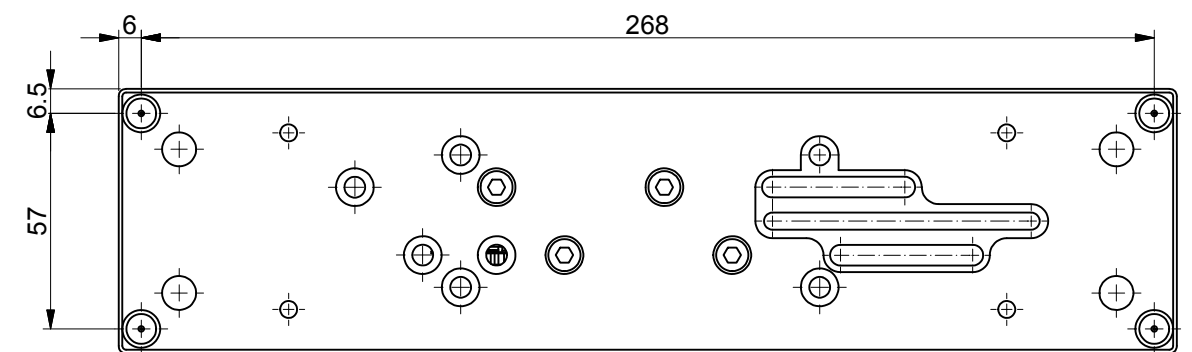
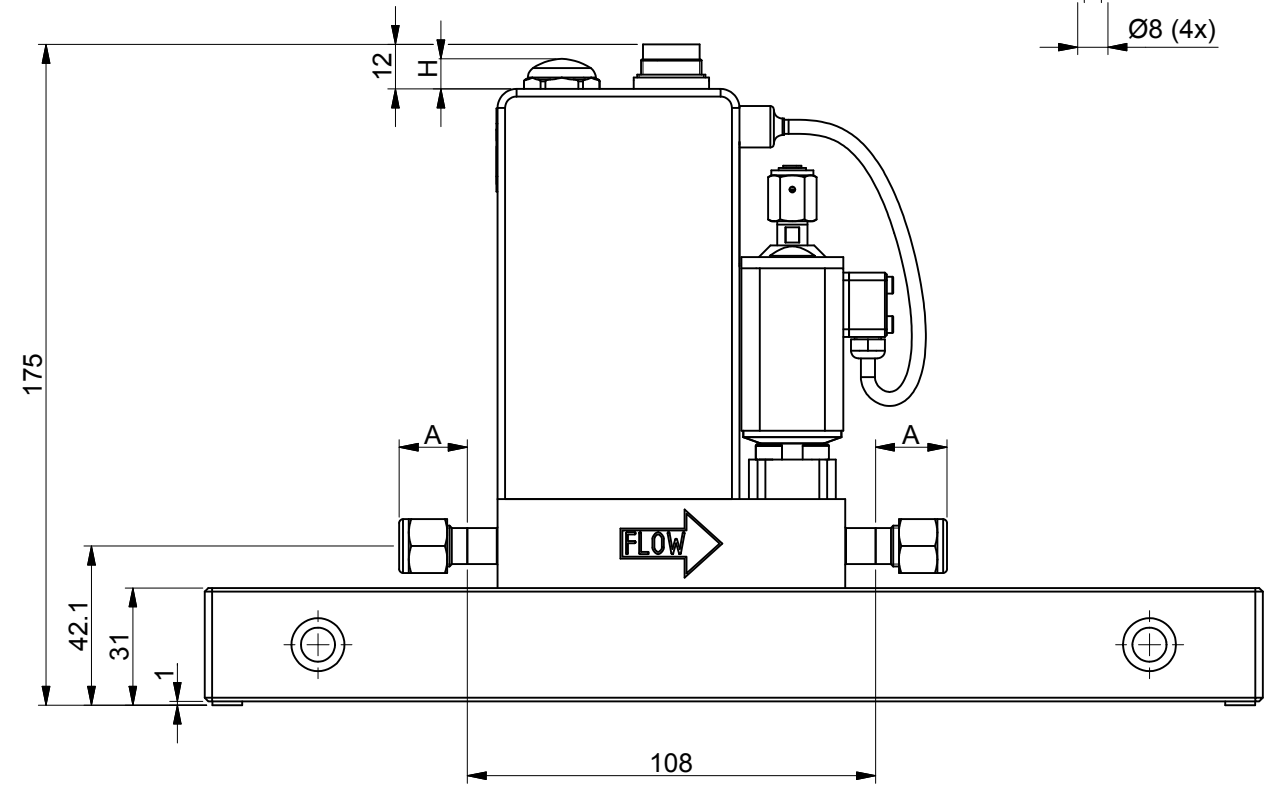
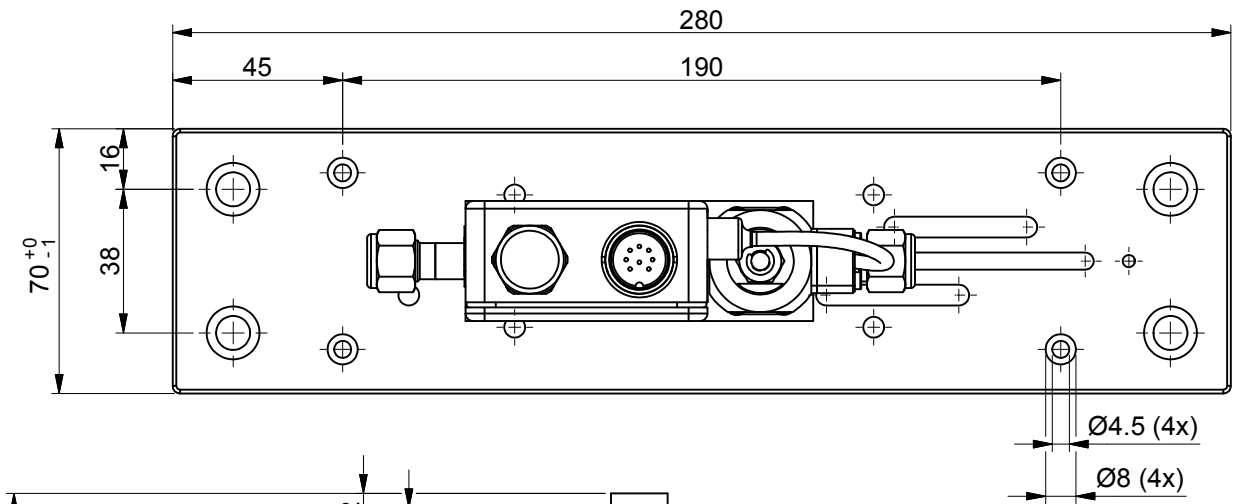
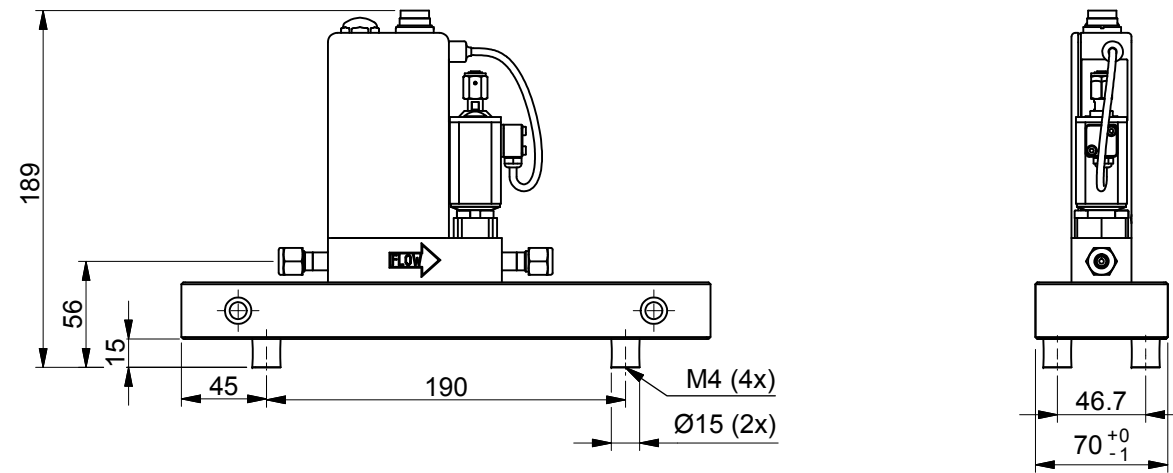
**Option 1:
Mass block with large dampers (standard)**

(1 : 4)



**Option 2:
Mass block with small dampers (optional)**

(1 : 4)


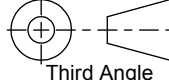


(1 : 5)

For bus applications height H=max. 18 mm.
Please note that the height increases when a
contra connector is used.

Check document 7.05.672 for dimension A.
Dimensions subject to change without notice.

Tolerances ± 0.2 unless
otherwise mentioned

Title: Dimensional drawing M1xV1xl weld on a 4 kg mass block		Drawer : M.H.	Revision Description: Logo changed	
 Bronkhorst WWW.BRONKHORST.COM		Date: 23-01-2013	Rev. by: R.Ge. Scale: 1:2 A3	
		Checked : J.E.		
Projection:  Third Angle		Date: 19-11-2015	Drawing no.: 7.05.859	
Dimensions: Metric (mm)		Rev.: B	Page: 1-1	